

Vent-Axia[®]

EC Acoustic Mixflow Inline Exhaust Fan

INSTRUCTIONS



Ventair Pty. Ltd.
4 Capital Place,
Carrum Downs, Vic 3201.

Easy to mount

Unlock the plastic clips



Open the clips on both ends



Remove the fan body



Fix the mounting bracket with screws



Couple the ducts



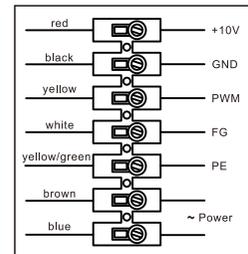
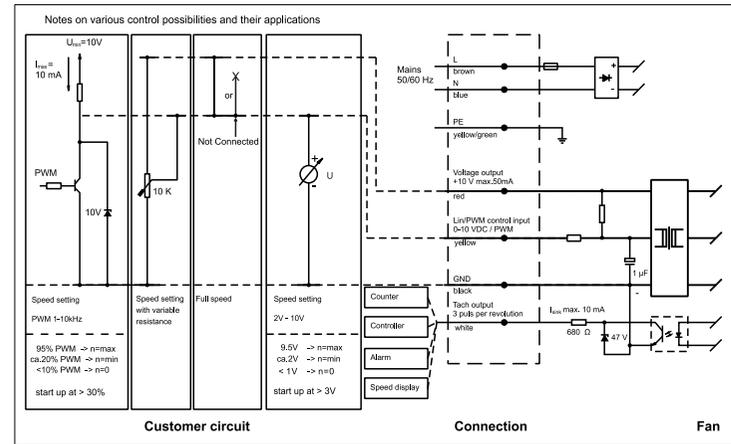
Lock up the fan by plastic clips



1

Wiring Instruction

EC motor(size 074,line-fed)



Colour	Signal	Assignment/function
red	+10V	Voltage output +10V max.50 mA
black	GND	GND
yellow	0-10V/PWM	Control input (Impedance 100kΩ)
white	Tacho	Tach output:3 puls revolution
yellow/green	PE	Protective earth
brown	L	Mains 50/60 Hz_phase
blue	N	Mains 50/60 Hz_neutral

2

INSTRUCTION MANUAL

Thank you for selecting the Vent-Axia EC Acoustic Mixflow Inline Exhaust Fan. It has been manufactured following current technical safety regulations and in compliance with the AS/NZS 60335.2.80 standard. Please read this instruction booklet carefully before installing or starting up the product. It contains important information on personal and user safety measures to be followed while installing, using and carrying out maintenance work on the equipment. Once the product has been installed, please hand in this booklet to the end user. Remove the product from packaging and carefully inspect for any signs of damage. If the product is found to be damaged, immediately contact your local authorised supplier. Please ensure that the product is suitable for your needs.

TRANSPORT AND STORAGE

- * The packaging of the unit has been designed to support normal transport conditions. It must always be transported in its original packaging in order to avoid any damage.
- * The product should be stored in a dry place in its original packaging, protected from dust and dirt until it is installed in its final location. Do not accept delivery if the product is not in its original packaging or shows clear signs of having been manipulated in any way.
- * Do not place heavy weights on the packed product and avoid knocking or dropping it.

IMPORTANT CONSIDERATIONS BEFORE INSTALLING

- * Installation must only be carried out by a qualified person.
- * Ensure that the installation is in accordance with all applicable National Codes & Standards including the Wiring Rules and Build Code of Australia.
- * This unit has been designed to move the air in the area as specified by its Technical Information.
- * This product must not be used in an explosive or corrosive environment.
- * If a ventilator is going to be installed to extract air from premises where a boiler or other combustion products are installed, make sure that the building has sufficient air intakes to assure adequate combustion. The extractor outlet must not be connected to a duct used exhaust smoke or fumes from any appliance that uses gas or any other type of fuel.
- * This appliance is not intended for use by young children or infirm persons unless they have been adequately supervised by a person responsible to ensuring that they can use the appliance safely. Young

children should be supervised to ensure that they do not play with the appliance.

SAFETY DURING INSTALLATION

- * Make sure there are no loose elements near the ventilator, as they could run the risk of being sucked up by it. If it is going to be installed in a duct, check that it is clean of any element that could be sucked up by the ventilator.
- * When installing the product, make sure that all the fittings are in place and that the structure which supports it is resistant enough to bear its weight at full functioning power.
- * Before manipulating the product, make sure the mains supply is disconnected, even if the machine is switched off.
- * Check that the mains supply voltage and frequency values match what has been specified in its Technical Information.
- * A means for disconnection of this appliance from the supply mains must be incorporated in the fixed wiring in accordance with the wiring rules.
- * Please follow the connections diagram for all electrical connections.
- * Precautions must be taken to avoid the back-flow of gases into the room from the open flue of gas or other fuel-burning appliances.
- * If the ventilator is installed in a duct, the duct must be used exclusively for the ventilation system.

STARTING UP

Before starting up, make sure that:

- * The product is well secured and the electrical connections have been carried out correctly.
- * The safety devices have been adequately connected.
- * No loose material or fitting remains can be sucked up by the ventilator. If the ventilator has been mounted in a duct, make sure it is clear of any loose material.
- * The earth fittings are adequately connected.
- * The electrical safety devices are correctly connected, adequately adjusted and ready for use.
- * The wire and electrical connection inputs are correctly sealed and water-tight.

When starting up the unit, make sure that:

- * The propeller turns in the correct direction.
- * There are no abnormal vibrations.
- * If the circuit protection device is being tripped during operation, the

unit must be quickly disconnected from the mains supply. The whole installation should be carefully checked before trying to operate the unit again.

MAINTENANCE

- * Before servicing or cleaning the unit, make sure it is disconnected from the mains supply and that it is not possible for anyone to accidentally switch it on.
- * The product must be regularly inspected. These inspections should be carried out bearing in mind the machine's working conditions, in order to avoid dirt or dust accumulating on the propeller, turbine, motor or grids. This could be dangerous and perceptibly shorten the working life of the ventilator unit.
- * While cleaning, extra care should be taken to avoid damaging the propeller or turbine.
- * All maintenance and repair work should be carried out in strict compliance with the current safety regulations.
- * Contact your local council for safely disposal to discard your old products.

If you have any queries about our products, please contact our after-sales service or your local dealer.